

C-VAC

*Coyle Valve and
Automation Center*



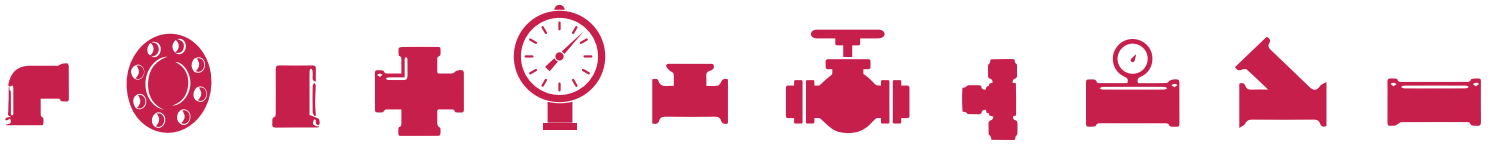
C-VAC is the certified valve and automation testing program for Coyle Supply. We use both in-house guidelines and customer drive specifications to set the parameters for testing and certifying all automation projects. Our C-VAC shop has a wide array of production capabilities including machining, fabricating, and retrofitting valve and actuator packages.

Assembly • C-VAC's process begins upon receipt of material into our shop. Complete assemblies or sub-assemblies may be built for expedited shipping purposes.

Testing • C-VAC fully tests all valve and automation packages. Testing is performed based on customer requirements along with C-VAC's quality standards of performance.

Certification • Upon completion of assembly and testing all valve and automation packages are labeled with C-VAC identification. Certified documentation and tamper-resistant safeguards are finalized prior to shipment.





Actuation

Pneumatic - Linear • Rack and Pinion • Scotch Yoke • Vane

Spring return • Double acting

Electric - Linear • Quarter Turn

Spring return • Manual override

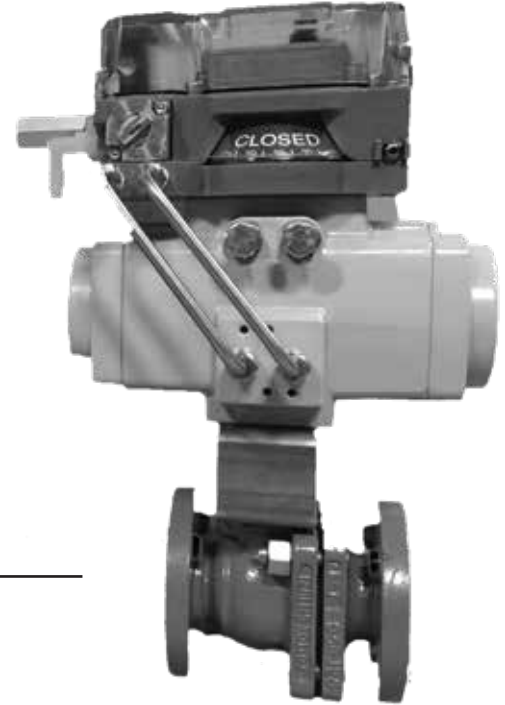
Actuation Accessories

Pilot valves • Limit switches • Indicators

Filtration • Solenoid valves

Applications

Block • Control • Diverting • Isolation (On/Off)



Authorized Distributor:

ABZ • Apollo Valve • ASCO • AT Controls • Atomac • Automax • Bonomi • Canfield
Dixon Sanitary • Durco • El-O-Matic • Flowserve • Georg Fischer • Hamlet/Letlok
Hayward • Homestead • Nibco • Norriseal • Rotork • RTI • Sharpe • Spears • Spirax Sarco
Stonel • TLV • Trelice • Topworx • Triac • VRC • Warren • Watson McDaniel • Westlock

Authorized Reseller:

Alloyco • Bettis • Bray • Cameron • Crane • DSI • Dyna-Tork • Delta Industrial • DTI
Durabla Everlasting Valve Company • Fabri • Fisher • Flo-Tite • IPEX • Keckley
Kinetrol • Milkwakee • Mission • NAF • Newco • Neway • Oribnox • PBV • ProMation
Remote Control • Resun • Techno • VRC • Walworth • WKM • Xomox



Granite City, IL
3721 IL 162 (HQ)
P. 618-797-1760

Springfield, MO
2017 E. McDaniel
P. 417-862-0483

Kansas City, KS
14 S. Ewing St
P. 913-228-1710

